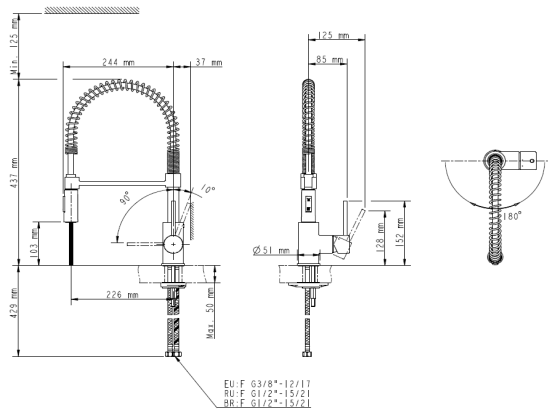


PRODUCT COMPOSITION DETAILS

Code	Type of elements	QTY	Material		Covering / veneer / finishing
			Type : for wooden parts don't forget to fill in the sheet 4	Characteristics / dimensions	
1	Handle	1		zinc alloy	chrome plated
2	Beautifying cover	1		ABS	chrome plated
3	Compressing nut	1		PPS	x
4	Cartridge	1		SN-35 COLD S/D MIRROR	x
5	Body assembly	1		Zinc alloy+PPO	chrome plated
6	Bracket Assembly	1		Zinc+sus304+EPDM	chrome plated
7	Shower head	1		ABS+POM	chrome plated
8	Aerator	1		POM	x
9	Aerator key	1		POM	x
10	Inlet hose©	1		TAQ-PEX-DN6-ACB H3/8-M8x1 L12-450-QB	TAQ-PEX-DN6-ACB H3/8-M8x1 L12-450-QB
11	Inlet hose(H)	1		TAQ-PEX-DN6-ACB H3/8-M8x1 L12-450-R-QB	TAQ-PEX-DN6-ACB H3/8-M8x1 L12-450-R-QB
12	L-wrench	1		steel	BLACK
13	Base ring	1		zinc alloy+EPDM	chrome plated
14	Plastic triangle	1		POM+EPDM	POM+EPDM
15	Fixing kit	1		Q235+EPDM	Q235+EPDM
16	Connectors	1		BRASS	BRASS

Dimension Drawing

Maxi loads on the Tops, shelves and extractables



Exploded view / Numbered view (or photo)

Maxi loads on the Tops, shelves and extractables

